



## GT Commercial Update Instructions Pre-2012 Online Capable

### IMPORTANT – PLEASE READ

This update is for games that have 2012-year courses and older versions. The software version will be 7.02.XX or a lower major number. This update requires a **Hard Drive change** and a **System RAM change**. The hard drive must be physically changed to complete the update to version 16.04.XX GT LIVE 2021.

The system box will need to be removed from the cabinet in order to replace the hard drive and system RAM stick. The completed update will be compatible with 16:9 aspect ratio HDTVs Only.

#### Update Contents:

- GT 2021 Hard drive assembly version 16.04.XX
- Security Chip labeled G21USA-4
- 1 GB DDR2 SYSTEM RAM
- Update Instructions
- Golden Tee Cabinet Marquee

This update procedure consists of 2 Sections.

- **Section 1:** Removing the system box to replace the system RAM and hard drive.
- **Section 2:** Replacing the U101 Security chip on the IO board

All the Videos for the two sections of procedures can be found on the [IT Amusement – Instructions and Videos](http://amusement.itsgames.com/service/instructions) website (<http://amusement.itsgames.com/service/instructions>). Direct links to YouTube videos are provided in the procedures.

#### Videos

- How to Install a Nighthawk System Box
- RAM Card Installation
- GT Golf Offline Update Installation Video (:28 - 3:00)

For Video Card Compatibility see [IT Amusement - Manuals](http://amusement.itsgames.com/service/manuals) website (<http://amusement.itsgames.com/service/manuals>).

#### Video Cards

- Video Card Compatibility

### Tools/equipment required for Memory Upgrade:

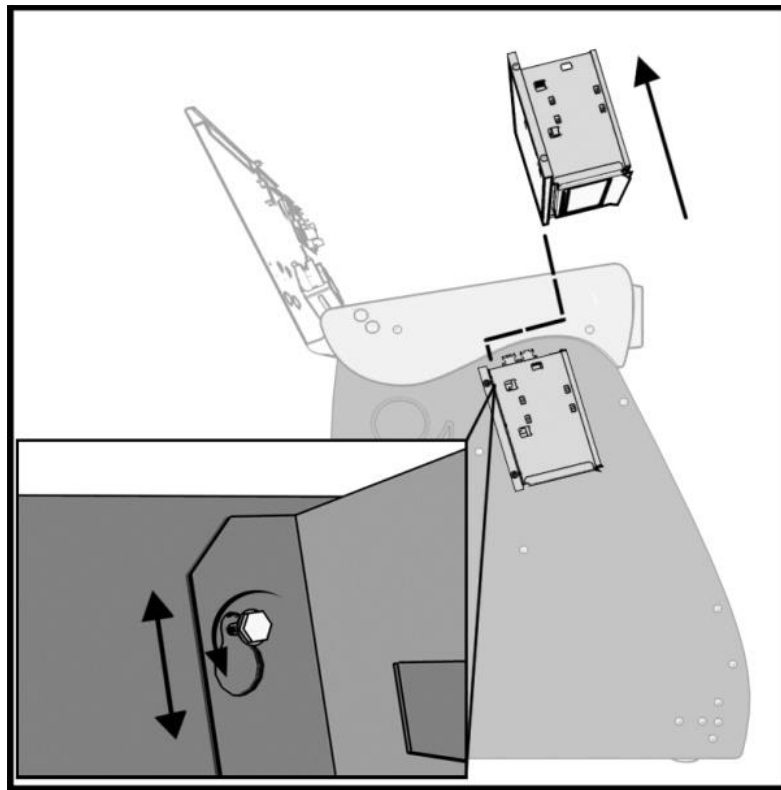
- ¼-inch Hex Nut Driver (no longer than 9 inches)
- Standard/Flat Head Screwdriver
- Good lighting

### Section 1 – Remove System Box

**Note:** Take a photo of the System Box wiring before removal.

**Step 1:** Remove the system box from the cabinet to replace the system RAM and Hard drive.

- For a YouTube video, see [How to Install a Nighthawk System Box](https://www.youtube.com/watch?v=e0Ej1QS_Id0&feature=youtu.be) ([https://www.youtube.com/watch?v=e0Ej1QS\\_Id0&feature=youtu.be](https://www.youtube.com/watch?v=e0Ej1QS_Id0&feature=youtu.be))



**System Box Location**

**Step 2:** Replace the Hard drive and System Ram

**Replace the system RAM**

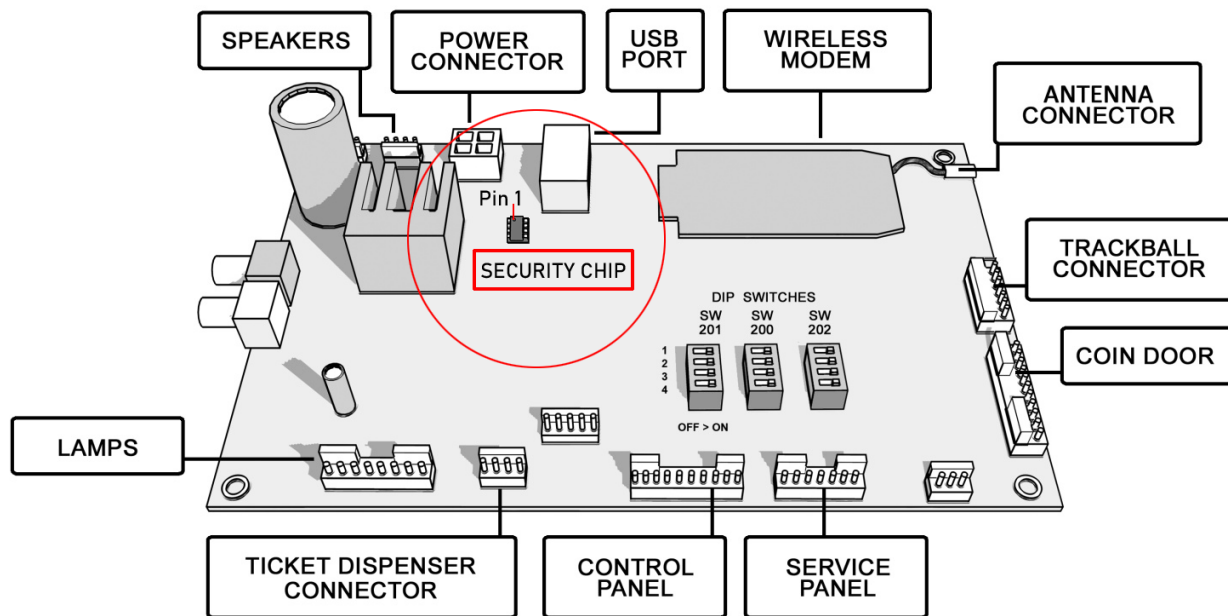
See the instructions that came with the System RAM and hard drive for installation instructions.

- For a YouTube video, see [RAM Card Installation:](https://www.youtube.com/watch?v=8VgrRMbb6rM&feature=youtu.be)  
(<https://www.youtube.com/watch?v=8VgrRMbb6rM&feature=youtu.be>)

Replace the hard drive – See the instructions provided with the hard drive.

**Step 3:** Install the System Box back into your cabinet and reattach the connections to the System Box.

Please see the following page for Section 2 Security Chip Replacement.

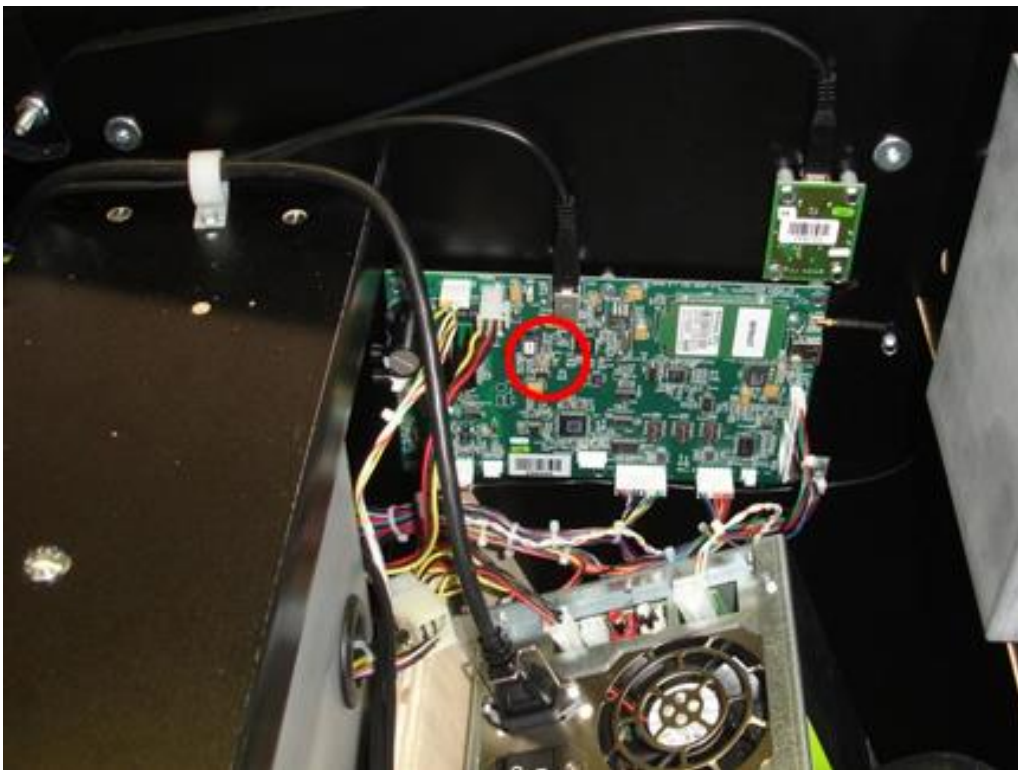


Example of an I/O Board with a Security Chip.

## Section 2 - Security Chip Replacement

1. Turn OFF all power to the game.
2. Carefully remove the socketed security chip found at U101 on the I/O Board. (A small flat blade screwdriver works best.) It is extremely important to note the orientation of the chip. The small black dot (Pin 1) must be on the same side as the USB Port.
3. **Make sure the new chip is oriented the same as the old chip before inserting it into the U101 socket.** Be sure the chip is seated properly with no bent pins.
4. Turn on Power to the game. Your game will power up to the new version.

**Note:** If the Security Chip is damaged, DO NOT THROW IT AWAY. It is required when purchasing a replacement.



Location of I/O Board on inner wall Showpiece Cabinet. Security Chip in red circle.

- For a YouTube video covering Security Chip replacement, see :28 through 3:00 of the [GT Update Installation Video](https://www.youtube.com/watch?v=8pOHvVDhegk&feature=youtu.be) (<https://www.youtube.com/watch?v=8pOHvVDhegk&feature=youtu.be>)

To be fully compatible with 1080p, the System Box must have a 640 or higher video card. For a complete list, please see Video Card Compatibility on [IT Amusement - Manuals](http://amusement.itsgames.com/service/manuals) website (<http://amusement.itsgames.com/service/manuals>).

# IMPORTANT!

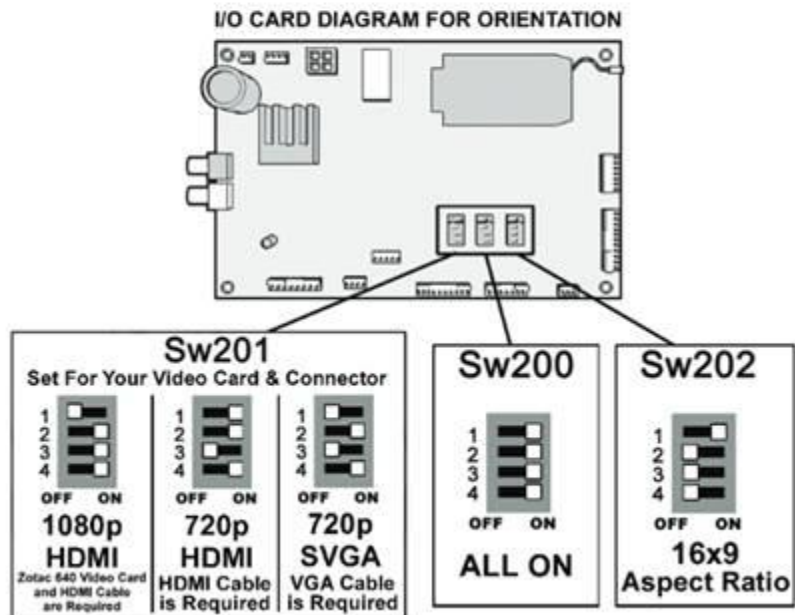
## GOLDEN TEE®

### DIP SWITCH SETTINGS FOR 16x9 HDTV

**BETTER GRAPHICS  
MEANS  
BETTER EARNINGS!**

Check your  
dip switches and  
make sure they  
are set correctly.

**A two-minute check  
could be worth  
big money!**



## Showpiece Marquee Installation



1. Slide the rectangular marquee mounting frame from its position on the two upright posts.
2. Remove any one of the four side pieces of the mounting frame.
3. Remove the current plastic laminate marquee from the mounting frame, but do not remove the cardboard.
4. Slide the updated marquee into place and reassemble the side piece or pieces. Make sure all of the surrounding pieces of the mounting frame are tight and the plastic laminate is smooth against the cardboard.
5. Slide the fully assembled marquee back into position.

**Note:** No cutting required when installing the Showpiece marquee.

## System Box Filter Cleaning

A clean filter is very important for proper cooling and optimal performance of the hardware. Be sure to clean this filter regularly.

1. With the back door removed, slide out the ventilation filter located on the underside of the system box.
2. Clean the filter thoroughly so it is free of dust and debris.
3. Insert the filter back into the slots of the bracket located on the underside of the system box.